

CONSTRUCTION NOTES

- 1 INSTALL CASE G CURB RAMP PER STATE STANDARD PLAN A88A.
- 2 INSTALL TYPE GO DRAIN INLET PER STATE STANDARD PLAN D47B AND REMOVE THE EXISTING DRAINAGE STRUCTURE. GUTTER FL ELEVATION AT DI 69.60.
- 3 INSTALL 12' WIDE DRIVEWAY, CONCRETE TYPE, GRADES AND THICKNESS TO MATCH PROPOSED SIDEWALK
- 4 SAWCUT EXISTING PAVEMENT ALONG THE CENTERLINE AND PRESERVE EXISTING CENTERLINE STRIPING. PLACE NEW ROADWAY SECTION WITH FRONTAGE IMPROVEMENTS.
- 5 SEE TYPICAL SECTION FOR ROADWAY, LANDSCAPE AND SIDEWALK SECTION.
- 6 INSTALL 2 TRESS AS DIRECTED BY THE COUNTY PER COUNTY STANDARD PLAN 205. TREES SHALL BE CHINESE PISTACHE.
- 7 INSTALL SIDEWALK BARRICADE PER COUNTY STANDARD PLAN 502.
- 8 INSTALL 4" YARD DRAIN AND CONNECT TO PROPOSED DI WITH 4" PVC DRAIN PIPE
- 9 INSTALL 80 LF OF 12" HDPE DRAIN PIPE. MATCH EXISTING FL AT DI. FL AT END OF CULVERT = 68.7. PLACE DRAIN PIPE ALONG THE BACK OF CURB IN THE LANDSCAPE STRIIP. GRADE SURROUNDING DITCHES TO DRAIN TO CULVERT. SEE COUNTY STANDARD PLAN 300 FOR TRENCH DETAILS.

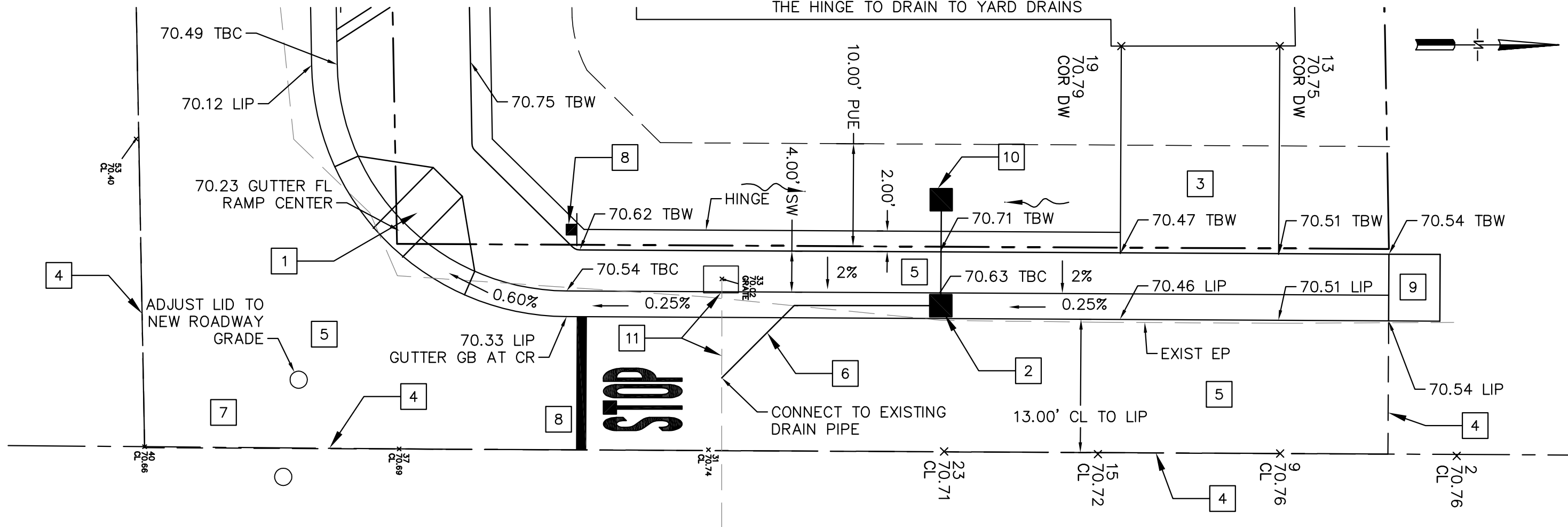
YUBA COUNTY
DEPARTMENT OF PUBLIC WORKS

SITE IMPROVEMENTS

5764 GRIFFITH AVENUE, LINDA CA
CONTRACT NO. 2013-N3P5764GRI

DRAWN BY:KG DATE: 8-26-2013 PAGE 1 OF 3

NOTE - GRADE FRONT YARD BEHIND THE HINGE TO DRAIN TO YARD DRAINS



GRIFFITH AVE
SCALE 1"=10'

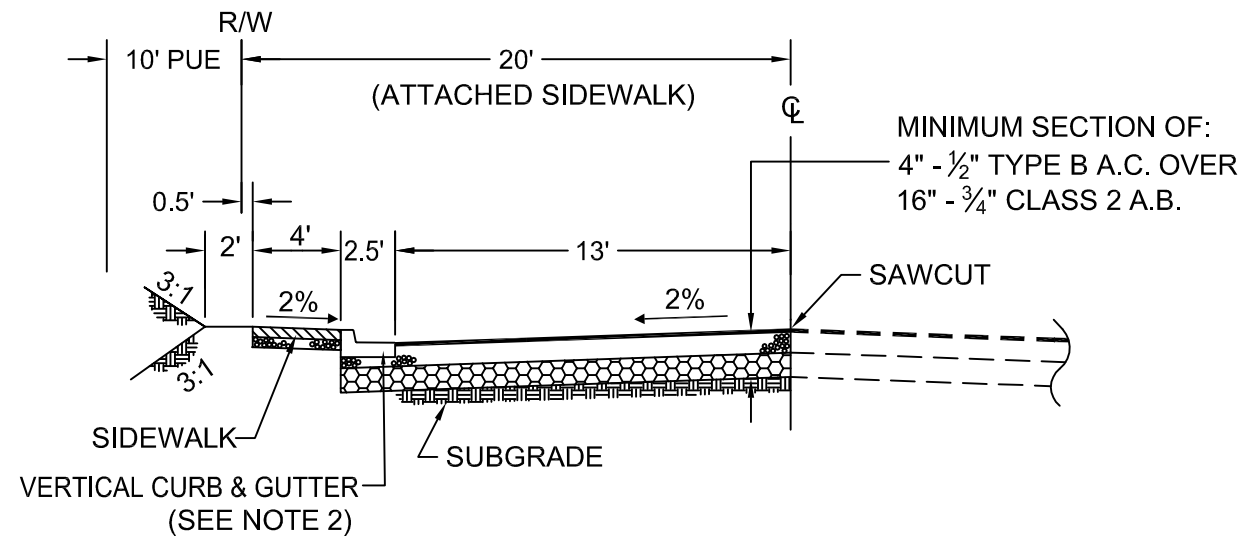
CONSTRUCTION NOTES

- 1 INSTALL WHEELCHAIR RAMP PER COUNTY STANDARD PLAN 203.
- 2 INSTALL TYPE GO DRAIN INLET PER STATE STANDARD PLAN D74B AND REMOVE THE EXISTING DRAINAGE STRUCTURE. GUTTER FL ELEVATION AT DI 70.30.
- 3 REMOVE EXISTING DRIVEWAY AND INSTALL 15.5' WIDE DRIVEWAY PER COUNTY STANDARD PLAN 200. MAINTAIN DEPRESSED SIDEWALK NORTH TO END OF SIDEWALK IMPROVEMENTS.
- 4 SAWCUT EXISTING PAVEMENT ALONG THE CENTERLINE AND PRESERVE EXISTING CENTERLINE STRIPING. PLACE NEW ROADWAY SECTION WITH FRONTAGE IMPROVEMENTS.
- 5 SEE TYPICAL SECTION FOR ROADWAY, LANDSCAPE AND SIDEWALK SECTION.
- 6 PLACE 23 LF OF 12" HDPE DRAIN PIPE WITH TWO 45° FITTINGS TO NEW DI. MAINTAIN A SLOPE OF 0.0026 FROM TIE IN TO NEW DI. SEE COUNTY STANDARD PLAN 300 FOR TRENCH DETAILS.
- 7 INSTALL STRIPING DETAILS 40 AND 41 PER STATE STANDARD PLAN A20D THROUGH INTERSECTION WHERE EXISTING STRIPING WILL BE REMOVED FOR NEW ROADWAY.
- 8 RELOCATE EXISTING STOP SIGN, INSTALL STOP LEGEND AND STOP BAR PER COUNTY STANDARD PLAN 125
- 9 INSTALL AC RAMP FROM END OF SIDEWALK TO AC SWALE. RAMP SLOPE NOT TO EXCEED 5%.
- 10 INSTALL 4" YARD DRAIN AND CONNECT TO PROPOSED DI WITH 4" PVC DRAIN PIPE
- 11 REMOVE EXISTING DI AND DRAIN PIPE TO PROPOSED CONNECTION.

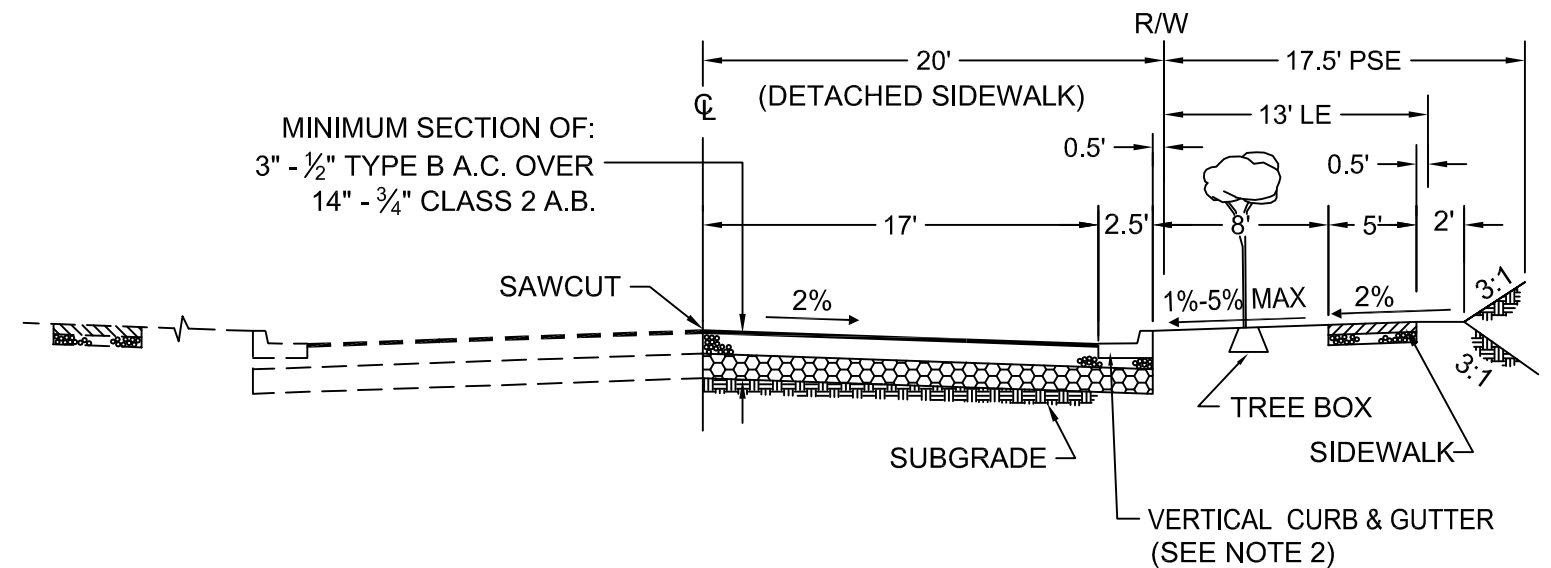
YUBA COUNTY DEPARTMENT OF PUBLIC WORKS		
SITE IMPROVEMENTS		
5764 GRIFFITH AVENUE, LINDA CA CONTRACT NO. 2013-N3P5764GRI		
DRAWN BY: KG	DATE: 8-26-2013	PAGE 2 OF 3

TYPICAL SECTIONS

GRIFFITH AVENUE TYPICAL



LINDA AVENUE TYPICAL



ITEMS INCLUDE BUT ARE NOT LIMITED TO:

1. TRAFFIC CONTROL
2. CLEARING AND GRUBBING
3. SAWCUTTING
4. ROADWAY EXCAVATION
5. AGGREGATE BASE
6. ASPHALT CONCRETE
7. PCC SIDEWALK
8. CURB & GUTTER
9. 2-DRIVEWAYS
10. 2-WHEELCHAIR RAMPS
11. 2-GO DRAIN INLETS
12. 2-4" YARD DRAINS W/4" PVC DRAIN PIPE
13. 103 LF±-12" HDPE PIPE, FITTINGS AND TRENCHING
14. SIDEWALK BARRICADE
15. STRIPING FOR STOP BAR AND THROUGH INTERSECTION
16. RELOCATE STOP SIGN
17. GRADING TO DRAIN
18. UTILITY LID ADJUSTING
19. 2-TREES AND INSTALLATION
20. A.C. RAMP

NOTES:

1. REFER TO SECTION 6 OF YUBA COUNTY STANDARD SPECIFICATIONS FOR ADDITIONAL REQUIREMENTS.
2. VERTICAL CURB REQUIRED AT ALL PARKS, SCHOOLS AND CURB RETURNS OR AS DIRECTED BY PUBLIC WORKS.
3. DESIGN SPEED OF 30 MPH OR AS APPROVED BY PUBLIC WORKS.
4. CONTRACTOR SHALL SUBMIT A TRAFFIC CONTROL PLAN AT LEAST TWO DAYS PRIOR TO PRECONSTRUCTION MEETING PER YUBA COUNTY GENERAL NOTES.

YUBA COUNTY
DEPARTMENT OF PUBLIC WORKS

SITE IMPROVEMENTS
5764 GRIFFITH AVENUE, LINDA CA
CONTRACT NO. 2013-N3P5764GRI

DRAWN BY: *KEG* DATE: 08-26-2013 PAGE 3 OF 3