



County of Yuba

Community Development and Services Agency

Building Department

915 8th Street, Suite 123
Marysville, Ca 95901

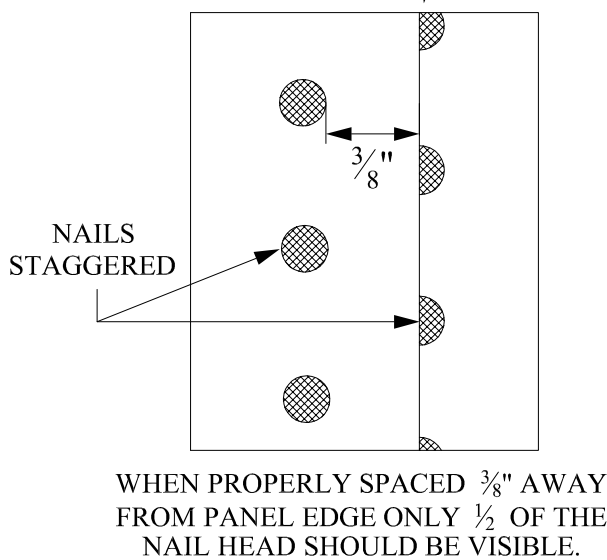
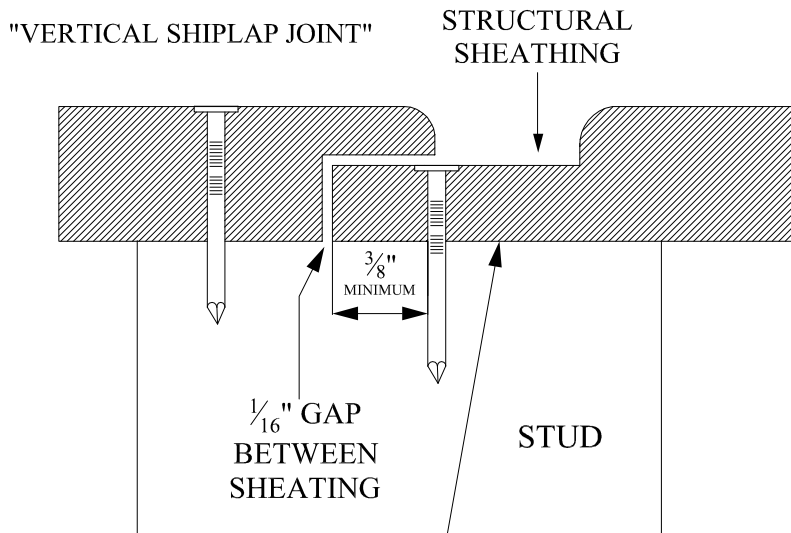
PHONE : (530) 749-5440

FAX: (530) 749-5616

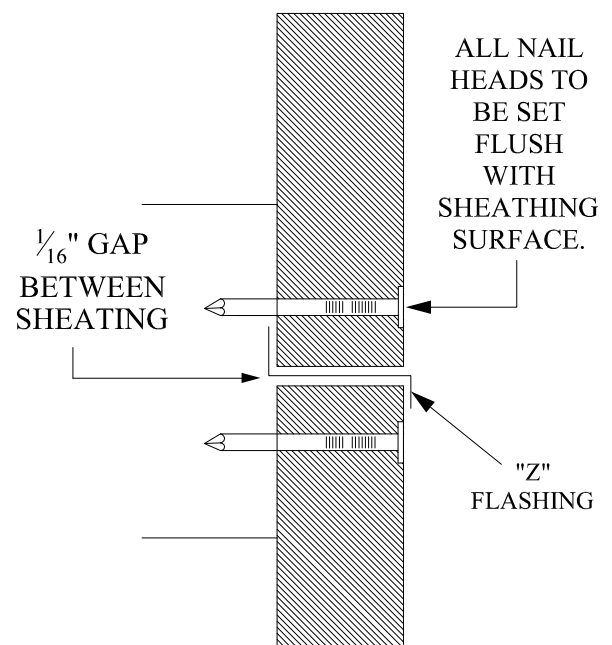
www.co.yuba.ca.us

STRUCTURAL PANEL NAILING

ALL NAILS SHALL BE STAGGERED AND SHALL BE NO CLOSER THAN $\frac{3}{8}$ " TO ANY STRUCTURAL PANEL EDGE. ALL WOOD PANEL EDGES SHALL BE OVER SOLID BLOCKING.



FLASHED HORIZONTAL JOINT



"VERTICAL BATTEN EDGE"

